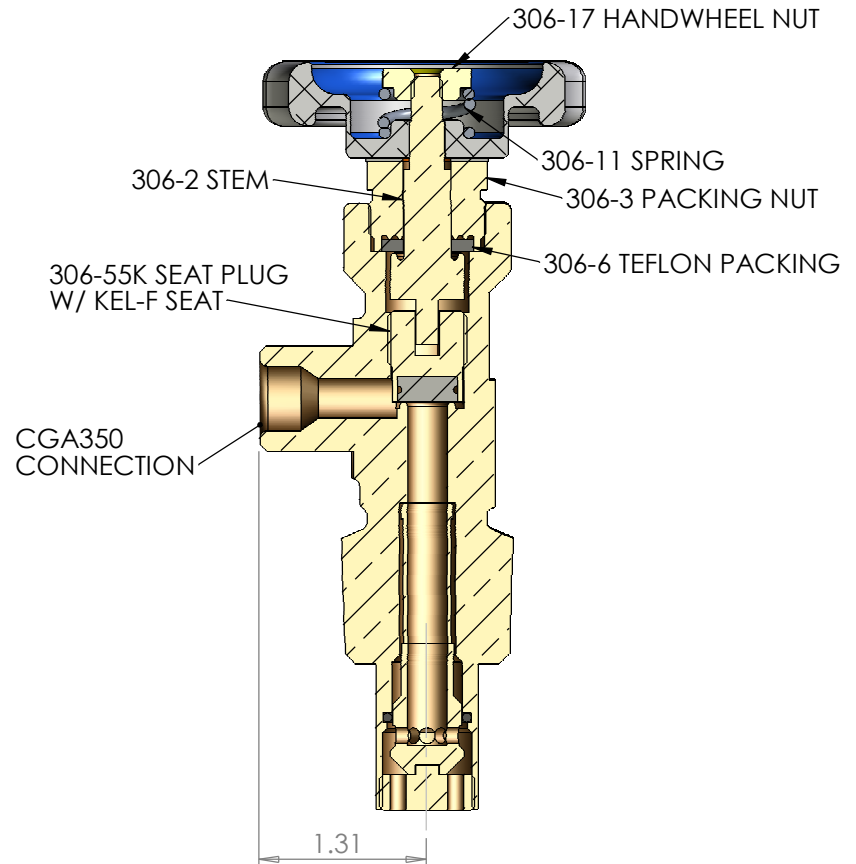


DIMENSIONS ARE APPROXIMATE



SECTION A-A
SCALE 1 : 1.5

SPECIFICATIONS:
 VALVE BODY - BRASS
 SEAT PLUG - BRASS, KEL-F SEAT
 STEM - BRASS
 PACKING NUT - BRASS
 PACKING - VIRGIN TEFLON
 SHEAR POPPET - BRASS COMPONENTS W/ VITON SEAL
 MAXIMUM VALVE BODY OPERATING PRESSURE - 5000 PSI
 REFERENCE CGA PUBLICATION V-1 FOR OUTLET PRESSURE RATINGS
 WHERE APPLICABLE
 Cv FACTOR - 1.16

	NAME	DATE	WESTERN VALVE		
DRAWN	DCH	11/17/10	TITLE: P1306N23F VALVE		
CHECKED	DCH	11/17/10			
MFG APPR.	DCH	11/17/10			
COMMENTS:			SIZE	DWG. NO.	REV
			A	P1306N23F	
			SCALE: 1:5	WEIGHT:	SHEET 1 OF 1