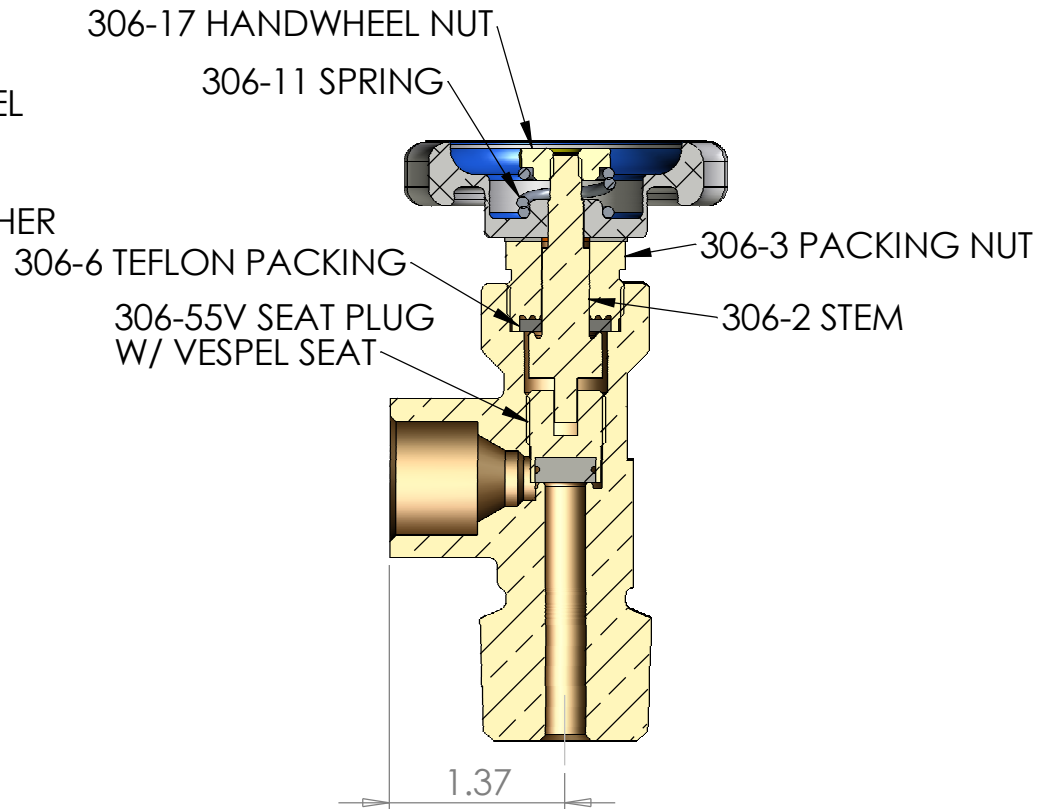


DIMENSIONS ARE APPROXIMATE



**SECTION A-A**  
**SCALE 1 : 1.5**

**SPECIFICATIONS:**  
 VALVE BODY - BRASS  
 SEAT PLUG - BRASS W/ VESPEL SEAT  
 STEM - BRASS  
 PACKING NUT - BRASS  
 PACKING - VIRGIN TEFLON  
 MAXIMUM OPERATING PRESSURE 5000 PSI  
 REFERENCE CGA PUBLICATION V-1 FOR OUTLET  
 PRESSURE RATINGS WHERE APPLICABLE  
 Cv FACTOR 1.16

	NAME	DATE	<b>WESTERN VALVE</b>
DRAWN	DCH	07/15/11	
CHECKED	DCH	07/15/11	
MFG APPR.	DCH	07/15/11	
COMMENTS:			TITLE: <b>1306N32FV VALVE</b>
			SIZE DWG. NO. REV <b>A 1306N32FV</b>
SCALE: 1:2		WEIGHT:	SHEET 1 OF 1