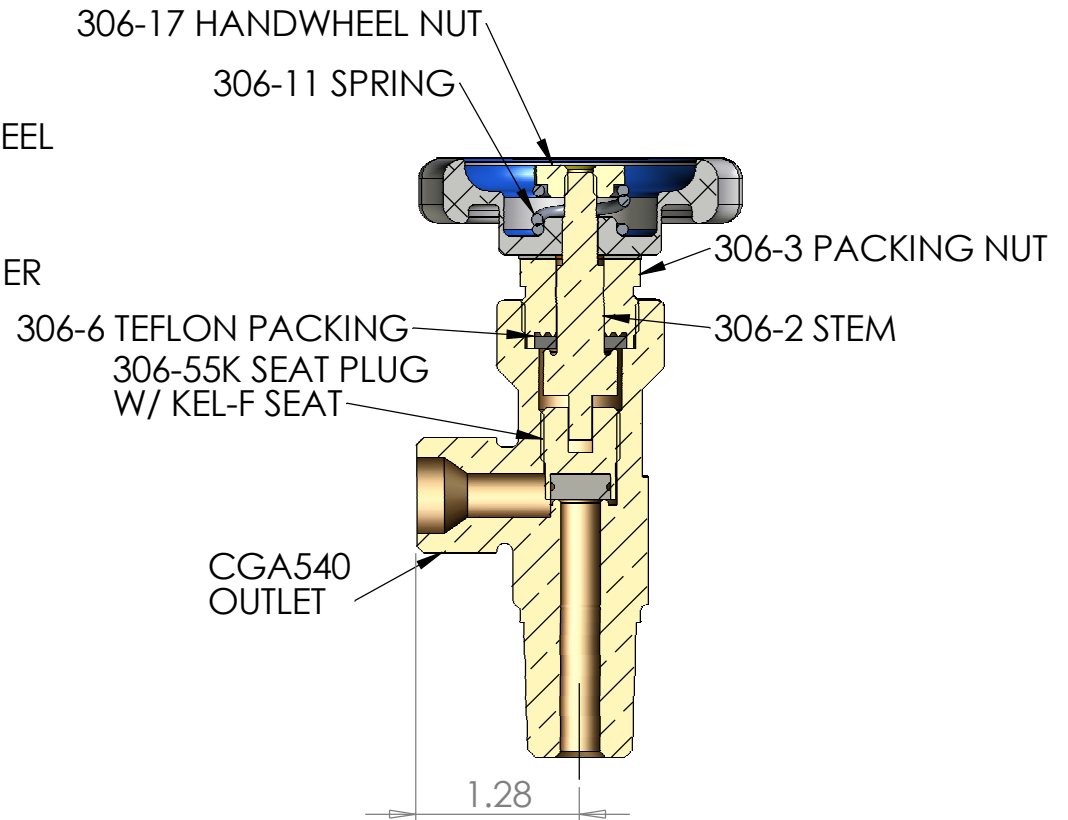


DIMENSIONS ARE APPROXIMATE



SECTION A-A  
SCALE 1 : 1.5

SPECIFICATIONS:  
 VALVE BODY - BRASS  
 SEAT PLUG - BRASS W/ KEL-F SEAT  
 STEM - BRASS  
 PACKING NUT - BRASS  
 PACKING - VIRGIN TEFLON  
 MAXIMUM OPERATING PRESSURE - 5000 PSI  
 REFERENCE CGA PUBLICATION V-1 FOR OUTLET  
 PRESSURE RATINGS WHERE APPLICABLE  
 Cv FACTOR - 1.11

	NAME	DATE	<b>WESTERN VALVE</b>
DRAWN	DCH	07/14/11	
CHECKED	DCH	07/14/11	TITLE:
MFG APPR.	DCH	07/14/11	1306N30A VALVE
COMMENTS:			SIZE DWG. NO. REV
			<b>A</b> 1306N30A
	SCALE: 1:2	WEIGHT:	SHEET 1 OF 1